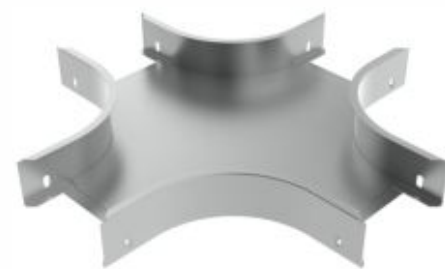


item number	for width of cable tray (A) mm	for height of cable tray (H) mm	B mm	thickness of metal sheet mm	🔥
NIXKR 50X62_IX	62	50	385	0,8	🔥
NIXKR 50X125_IX	125	50	448	0,8	🔥
NIXKR 50X250_IX	250	50	573	0,8	🔥
NIXKR 100X125_IX	125	100	448	0,8	🔥
NIXKR 100X250_IX	250	100	573	0,8	🔥
NIXKR 100X500_IX	500	100	823	0,8	🔥



product description: The cross-over is used to connect cable trays that cross over on one level running through cable trays of the same width. Connect by inserting the cable tray directly into the accessories and securing it with NIXSM 6X10 bolts. To protect the cables, the bolt head is inside the cable tray.



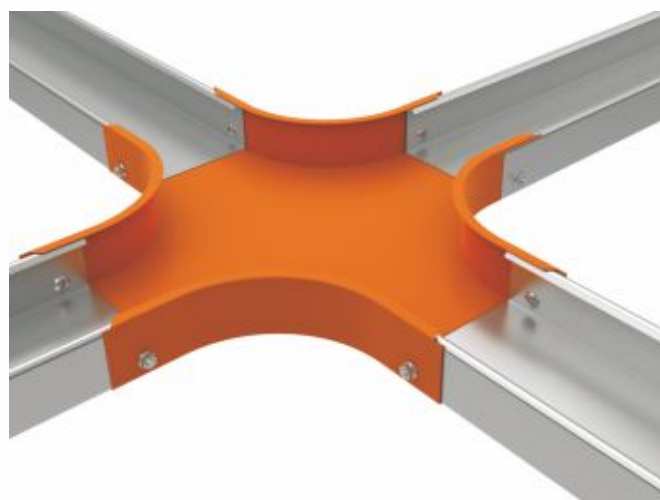
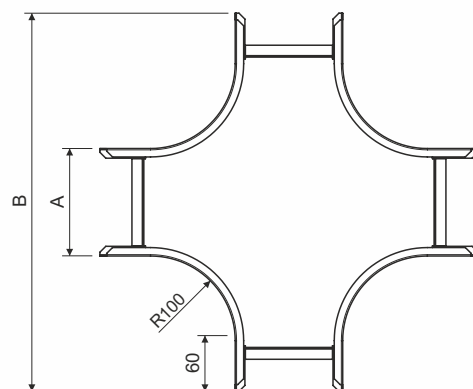
material: IX - stainless steel AISI 304 (AISI 316, AISI 316L only to order)

sales amount: á 1 pc

meets the requirements: EN 61537:02

classification 🔥: ČSN 73 0895 P 90-R
DIN 4102-12 E 90
STN 92 0205 PS 90
Fire classification is depend on the specific conditions of the cable tray, detailed in the catalog Systems with maintained functionality in fire

storage: EN 60721-3-1



 **WARNING****Risk of injury from cutting**

Although the cable trays are produced with maximum effort to minimize sharper edges, it is necessary to wear protective gloves to carry, grip and work with cable elements.

Electricity injury

As individual components of cable management systems are made of electrical conductive material, it is essential not to work with a system near live electrical parts. Infringement of the safety regulations may cause serious injury of health or death.

Safe Use

Under normal and foreseeable conditions of use, there are no risks to consumers, provided that proper installation and usage are carried out in accordance with the installation manual.

recycling codes:



NIXKR